

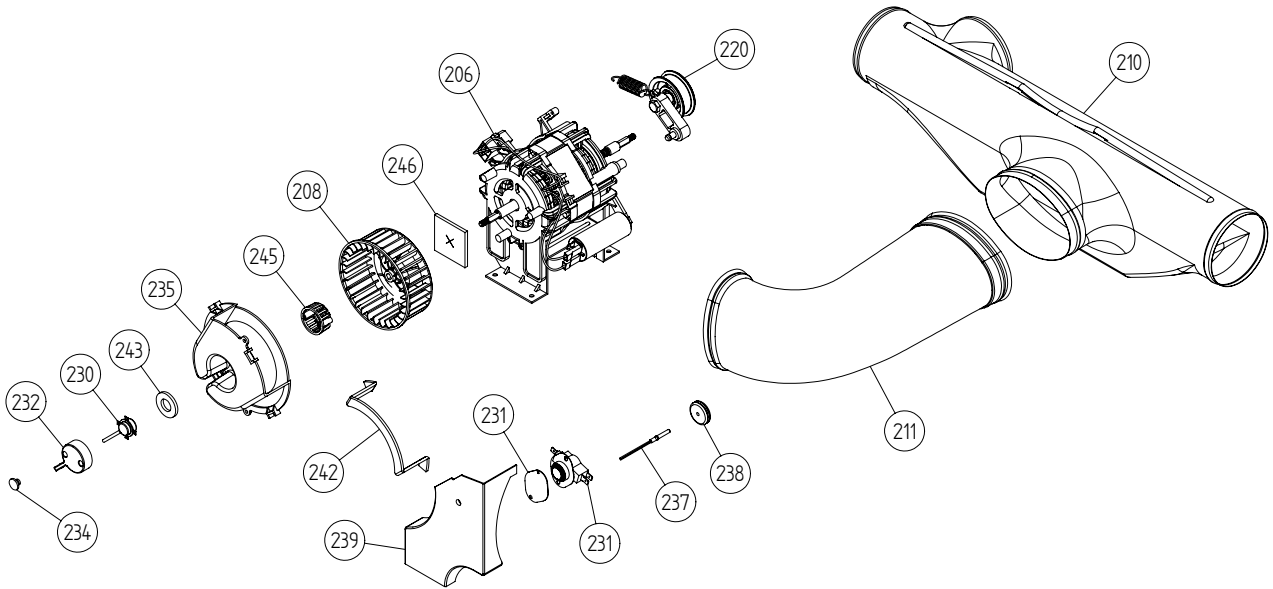
Spare Parts Catalogue

Dryers \ 700 Series
Type: TD30US
Model: T731 US Silver

Prod. No: 10773123
May 17th 2005

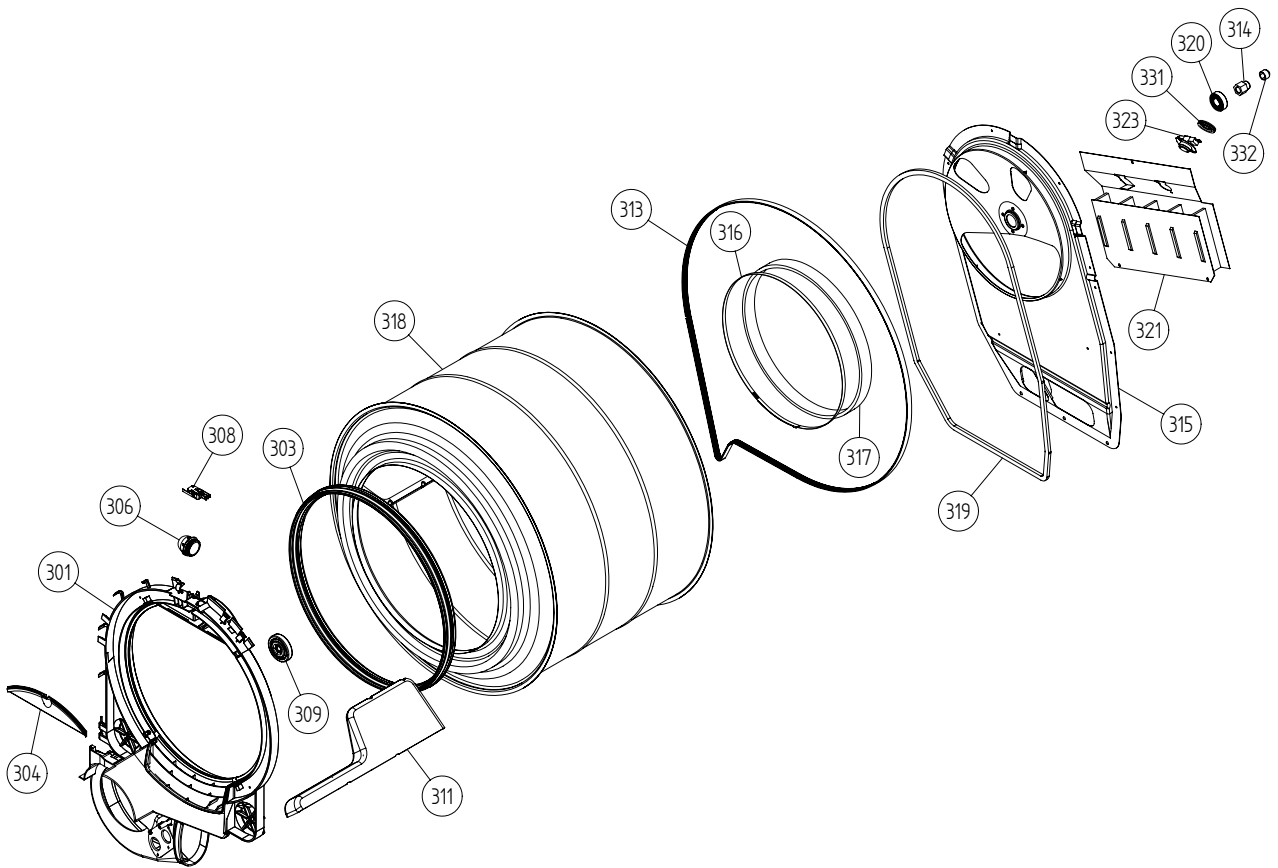
AM Appliances Group

P.O. Box 851805 • Richardson • TX 75085-1805
789 N. Grove Road • Suite 103 • Richardson • TX 75081



Lower session**ASKO, T731 US - Silver #10773123 (TD30US)**

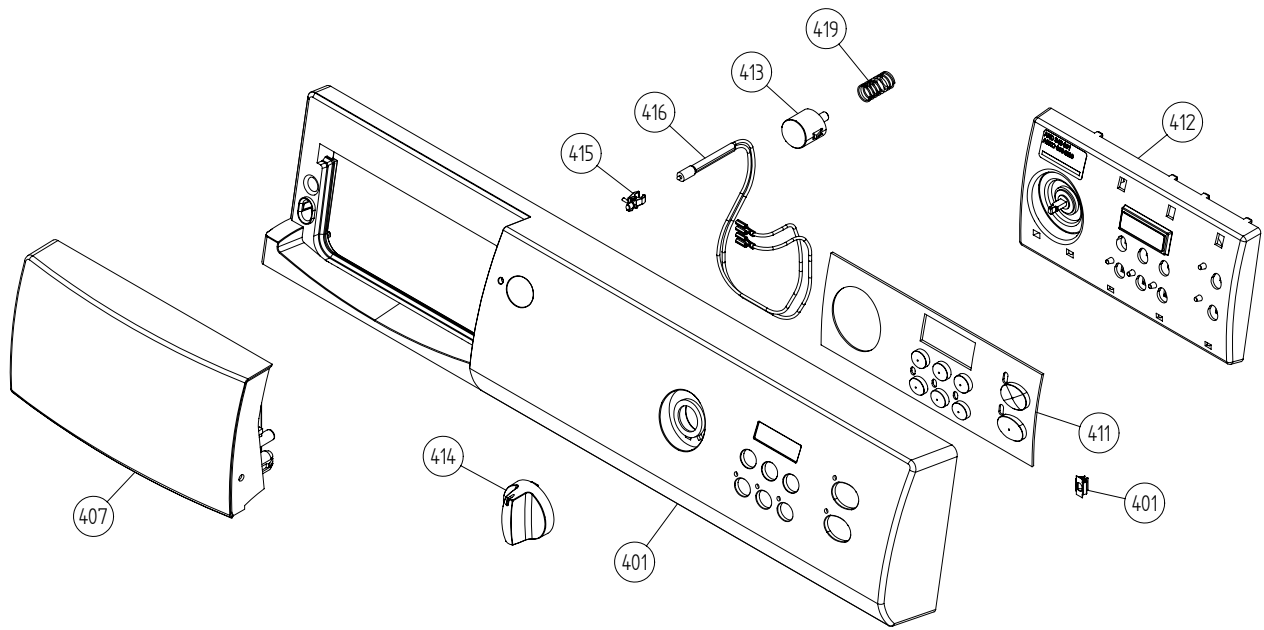
Pos	Spare part No.	Description	Qty	Comment
206	8061895	Motor Dryer 700s	1 Pcs	
206-a	8901969	Screw	4 Pcs	
206-b	8054268	Capacitor Dryer Motor 02/05	1 Pcs	
208	8055200	Blower Dryer Front All	1 Pcs	
208-a	8901192	Locking Nut WM 03/05	1 Pcs	
210	8052638	TTube w/o Recirc holes	1 Pcs	
211	8052639	Exhaust Canal Bend	1 Pcs	
220	8801214	TENSION ARM W.BALL BEARING	1 Pc's	
230	8061855	Humidity Sensor 760780	1 Pcs	
230-a	8902042	Screw Protective Cover Dryer	2 Pcs	
231	8050091	Cover Plate	1 Pcs	
231	8065306	THERMOSTAT 70	1 Pcs	
231-a	8902042	Screw Protective Cover Dryer	1 Pcs	
231-a	8900369	Screw T25	1 Pcs	
232	8061944	Guard Hum. Sensor	1 Pcs	
234	8061959	Plug Hum. Sensor	2 Pcs	
235	8061899	Fan Casing Lid T700	1 Pcs	
235	8076330-0	FAN CASING LID UL4	1 Pcs	
235-a	8902042	Screw Protective Cover Dryer	2 Pcs	
237	8061900	Thermistor 760780	1 Pcs	
238	8053050	GROMMET	1 Pcs	
239	8076948	PROTECTION FAN HOUSE ASM	1 Pc's	
239-a	8902042	Screw Protective Cover Dryer	1 Pcs	
242	8064184	SEALING COVER FAN HOUSE	1 Pcs	
243	8063897	SEALING HUMIDITY SENSOR	1 Pcs	
245	8061943	Guard for Humidity sen.	1 Pcs	
246	8058323	SHAFT SEAL DRYER	1 Pcs	



Cylinder and related parts

ASKO, T731 US - Silver #10773123 (TD30US)

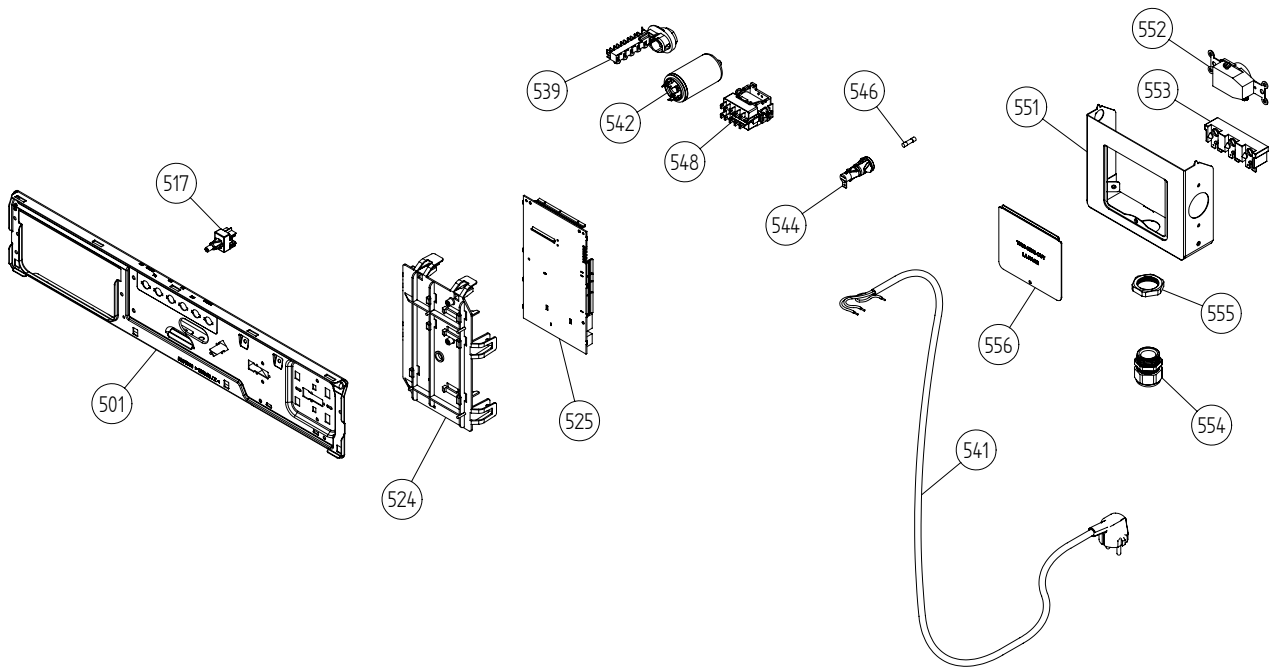
Pos	Spare part No.	Description	Qty	Comment
301	8801216	Front frame compl. TD21	1 Pcs	
301-a	8902066	Screw	4 Pcs	
303	8061821	Front Felt Seal T700	1 Pcs	
304	8061932-49	Lamp housing lid grey TD21	1 Pcs	
306	8061887	Lamp Chimney	1 Pcs	
308	8053107	Micro Switch Dryer 03/05	1 Pcs	
309	8052622	Drum Roller Frt. TD	1 Pcs	
311	8052589	Paddle	2 Pcs	
311-a	8902099	Screw	5 Pcs	
313	8065710	Belt 700s	1 Pcs	
314	8052632	Bushing Rear Drum 03/05 TD	1 Pcs	
315	8061851	Rear Panel Inner T700	1 Pcs	
315-a	8900369	Screw T25	13 Pcs	
316	8055054	Real Seal Clamp	1 Pcs	
317	8052649	Felt Strip Rear	1 Pcs	
317	8064440	Felt sealing rear	1 Pcs	
318	8061800	Cylinder Dryer TD20 Comp.	1 Pcs	
319	8059712	Rubber Strip	1 Pcs	
320	8004439	Bearing Dryer Rear Panel All	1 Pcs	
321	8063808	Heater Element 2500 W700s	1 Pcs	
321-a	8900369	Screw T25	2 Pcs	
323	8008487	TStat Man. Reset TD	1 Pcs	
323-a	8900369	Screw T25	1 Pcs	
331	8052650	Diaphragm Overheat	1 Pcs	
332	8064151	CAP OF BOLT	1 Pcs	



Control panel

ASKO, T731 US - Silver #10773123 (TD30US)

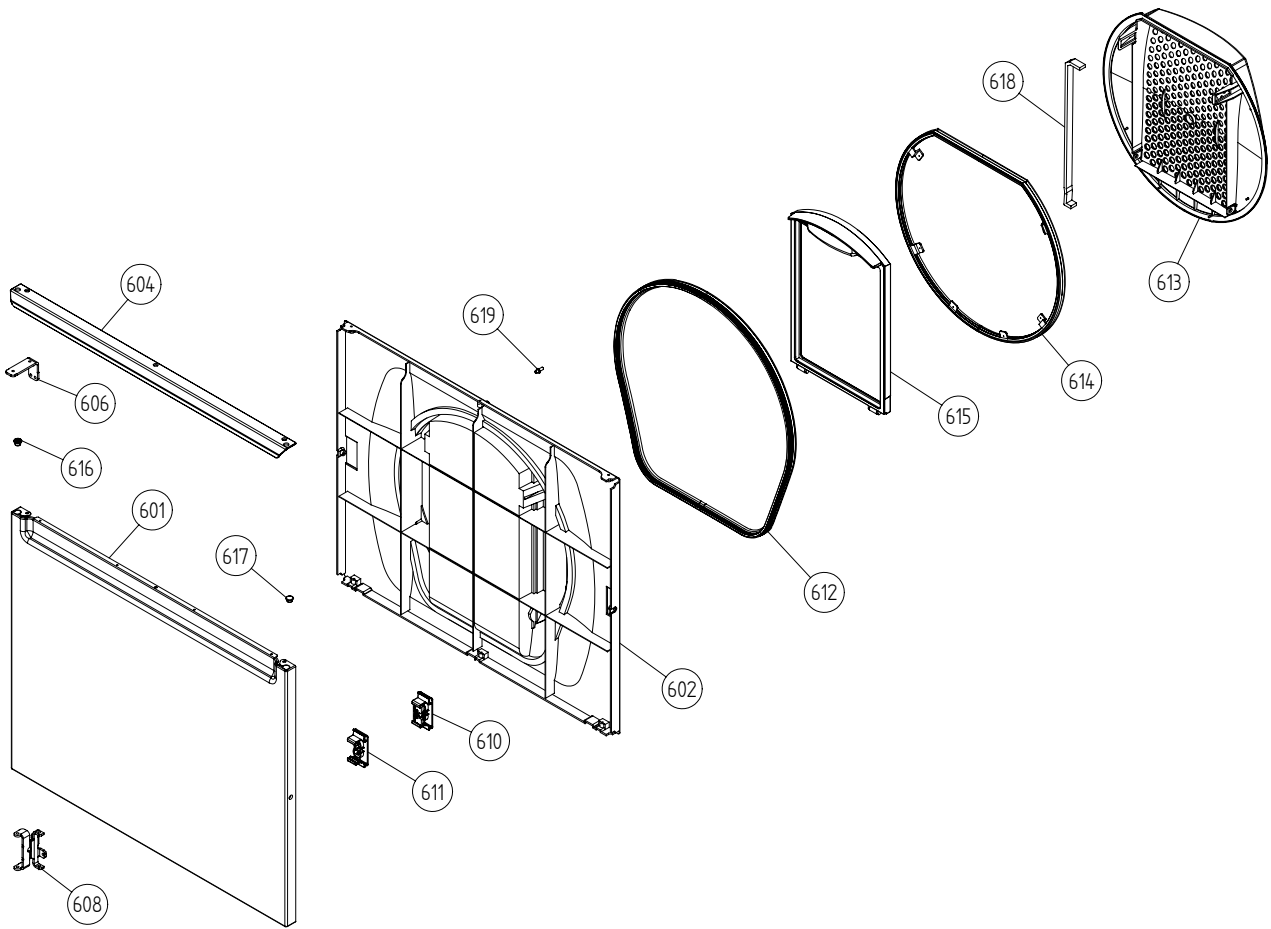
Pos	Spare part No.	Description	Qty	Comment
401	8065510-69-UL	PANEL WHANDLE T731 ASKO US	1 Pcs	
401-a	8901591	Clip/Panel 600700s	4 Pcs	
403	8064947	Program info label TD30 titani	1 Pcs	
407	8061846-69-UL	HANDLE PANEL MECH WMD20	0 Pcs	
411	8065653-33	Pushbottons/ T731	1 Pcs	
412	8064260	Display Unit WM50 TD30/40	1 Pcs	
413	8061902-69	On/Off Button 600/700 Series	1 Pcs	
414	8064390-69	Knob WM50 TD30/40	1 Pcs	
415	8061822	Decor Lens 06 Laundry	1 Pcs	
416	8060478	Ind. Lamp 600s WM	1 Pcs	
419	8061857	Spring Main Switch WMD 20	1 Pcs	
490	8065662	INSTRUCT TD21 ENGLISH US/CA	1 Pcs	
490	8065663	INSTRUCTIONS TD21 FRENCH US/CA	1 Pcs	
490	8065664	INSTRUCT TD21 SPANISH US/CA	1 Pcs	
490	8076530	INSTRUCT. TD21 ENGLISH US/CA	1 Pcs	
490	8076531	INSTRUCTIONS TD21 FRENCH US/CA	1 Pcs	
490	8076532	INSTRUCT. TD21 SPANISH US/CA	1 Pcs	
490	8076812	INSTRUCT. TD21 ENGLISH US/CA	1 Pcs	
490	8076813	INSTRUCTIONS TD21 FRENCH US/CA	1 Pcs	
490	8076814	INSTRUCT. TD21 SPANISH US/CA	1 Pcs	
490	8065674	INSTRUCTIONS T731 ASKO US GB	1 Pcs	
490	8065675	INSTRUCTIONS T731 ASKO US FR	1 Pcs	
490	8065676	INSTRUCTIONS T731 ASKO US ES	1 Pcs	



Upper session

ASKO, T731 US - Silver #10773123 (TD30US)

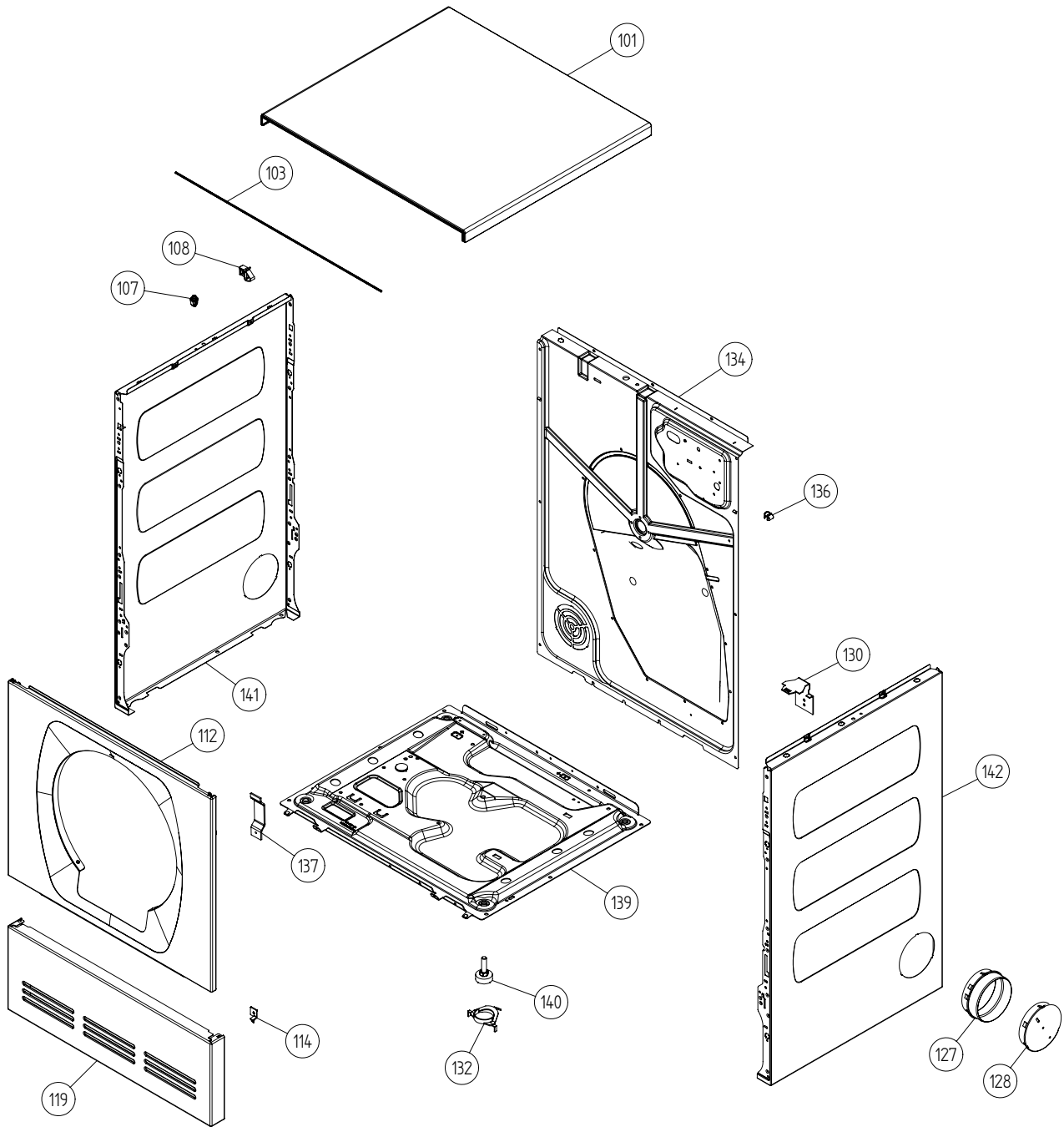
Pos	Spare part No.	Description	Qty	Comment
501	8061690	Front Beam 600/700 Series	1 Pcs	
501-a	8900338	Screw 20 Torx Self Tapping	2 Pcs	
501-b	8901413	Lock Washer laundry tops	2 Pcs	
501-c	8902087	Screw Plastic Housing 20 Torx	2 Pcs	
517	8061875	Switch ON/OFF WM20	1 Pcs	
524	8061921	Holder Prog Control WMD600/700	1 Pcs	
525	8077347	CONTROL UNIT TD21 6KG UL4	1 Pcs	
529	8087500	Cable Kit TD3033A4044A	1 Pcs	
539	8061660	Terminal Block 5Pole	1 Pcs	
539-a	8901097	Screw Terminal	1 Pcs	
541	8063972	Cord Set	1 Pcs	
542	8058558	RFI 05/06 WM	1 Pcs	
542-a	8901155	Nut	1 Pcs	
542-b	8901419	Lock Washer	1 Pcs	
544	8065573	FUSE HOLDER GREY 15A US/CA	2 Pcs	
544	8054613	Fuse Holder Laundry	2 Pcs	
544-a	8058140	BK/MDA15 Fuse All laundry	2 Pcs	
544-b	8055725	Hub Fuse Holder	2 Pcs	
545	8055725	Hub Fuse Holder	2 Pcs	
546	8058140	BK/MDA15 Fuse All laundry	2 Pcs	
548	8064179	Relay 10 terminals WM	1 Pcs	
551	8063931	EL.BOX US/CA COMPL.	1 Pcs	
551	8065734	EL. BOX USA TD21	1 Pcs	
551	8061849	Ele. Box T700 Series	1 Pcs	
551-a	8901097	Screw Terminal	1 Pcs	
552	8061033	Subs to 8061455	1 Pcs	
553	8061891	Terminal Block DryerTD 20	1 Pcs	
554	8060462	Grommet	1 Pcs	
555	8060463	Lock Nut	1 Pcs	
556	8063756	Cover Terminal block T700s	1 Pcs	
556-a	8901097	Screw Terminal	1 Pcs	



Outer door

ASKO, T731 US - Silver #10773123 (TD30US)

Pos	Spare part No.	Description	Qty	Comment
601	8061733-83	Door Outer Part Silver Mettali	1 Pcs	
602	8061810	Inner Door Dryer T700 Series	1 Pcs	
602-a	8902068	Screw	5 Pcs	
604	8061813-86	Door Handle Blk 700 Series	1 Pcs	
606	8061803-26	Hinge Pin Upper Compl. 700s	1 Pcs	
606	8061803-86	HINGE UPPER COMPL BLACK	1 Pcs	
606	8061805-86	HINGE UPPER BLACK	1 Pcs	
606	8061805-26	HINGE UPPER BLACK	1 Pcs	
606	8061805	SUB TO 80618050 hinge T711	1 Pcs	
606-a	8901097	Screw Terminal	2 Pcs	
606-b	8901619	Pop Rivet Det Comp	1 Pcs	
608	8061806-86	HINGE LOWER BLACK	1 Pcs	
608	8061807-86	HINGE LOWER COMPL BLACK	1 Pcs	
608	8061806-26	HINGE LOWER Repl.by 8061806-86	1 Pcs	
608	8061807-26	Complete Lower Hinge Blk	1 Pcs	
608-a	8900338	Screw 20 Torx Self Tapping	2 Pcs	
608-b	8901097	Screw Terminal	1 Pcs	
610	8061878	Magnet Door T700s	1 Pcs	
611	8061886	Lock Holder T700 Series	0 Pcs	
612	8061815	Seal Dryer Door T700s	1 Pcs	
613	8065840	Filter Holder Compl.	1 Pcs	
614	8065274	Filter bracket T711	1 Pcs	
615	8061812	Double Lint filter 700s	1 Pcs	
616	8061865-33	Hinge Bearing Blk 700 Series	2 Pcs	
617	8061953-33	Door Plug 700 Series	1 Pcs	
618	8801250	Kit sealing strip/filter hold	1 Pcs	
619	8064240	Pin Door Switch Dryer	1 Pcs	



Outer casing

ASKO, T731 US - Silver #10773123 (TD30US)

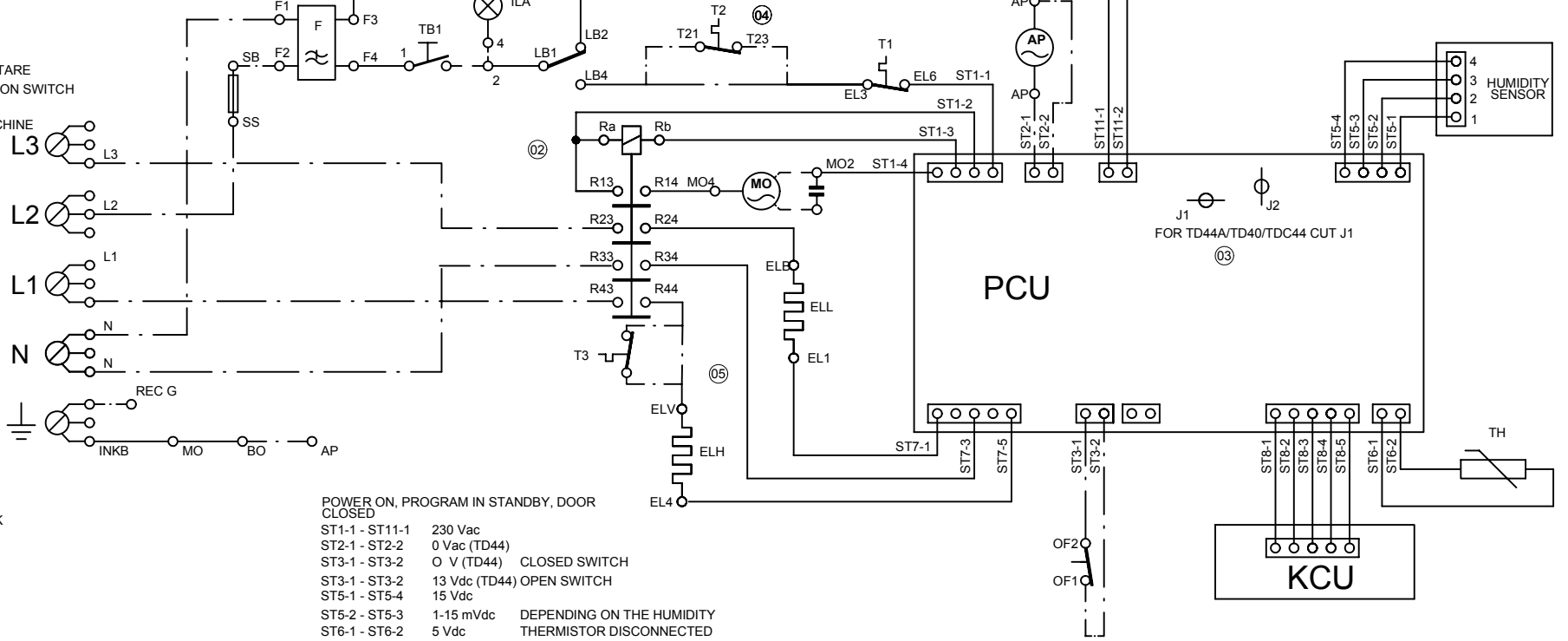
Pos	Spare part No.	Description	Qty	Comment
101	8061817-83	Top Cover Silvermetallic T731	1 Pcs	
101-a	8900338	Screw 20 Torx Self Tapping	3 Pcs	
101-b	8901413	Lock Washer laundry tops	2 Pcs	
103	8064062	Top Cover Strip	1 Pcs	
107	8061763	Clip Front Plate 600700s	2 Pcs	
108	8061916	CABLE HOLDER WMD20	2 Pcs	
112	8061847-83	FRONT PLATE SILVERMETALLIC	1 Pcs	
112-a	8900338	Screw 20 Torx Self Tapping	2 Pcs	
112-b	8901413	Lock Washer laundry tops	2 Pcs	
114	8064177	Hook Lower Pane	2 Pcs	
114-a	8900338	Screw 20 Torx Self Tapping	2 Pcs	
119	8801247-83	Lower Cover w/Holes	1 Pcs	
127	8052641	Collar Vent Exhaust TD	1 Pcs	
128	8052640-33-UL	LID EXHAUST CANAL BLACK UL4	2 Pcs	
130	8053980	STACKING Bracket ALL TDs Mus	2 Pcs	
132	8064114	Holder Dryer Feet Stacking	1 Pcs	
134	8064196	REAR PANEL OUTER PUNCHED	1 Pcs	
134-a	8900338	Screw 20 Torx Self Tapping	10 Pcs	
136	8061915	Cable Holder T700	1 Pcs	
139	8061618	BASE PAN WMD20	1 Pcs	
140	8059334	Leveling Leg Comp. WMD 20	4 Pcs	
141	8801175-83	SIDE PLATE COMPLLEFT TD20 EHX	1 Pcs	
142	8801176-83	SIDE PLATE COMPLRIGHT TD20EXH	1 Pcs	

S:\UW\wmd20\1_TryckunderlagiKopplingschema8061866 TD33_44, TDC33_441866-06ejskickad.dft , pesv , 2003-01-21 09:16:06

- ELL: VÄRMEELEMENT, LAG EFFEKT
HEATER, LOW POWER
- ELH: VÄRMEELEMENT, HÖG EFFEKT
HEATER, HIGH POWER
- T1: TERMOSTAT
THERMOSTAT
- T2: TERMOSTAT
THERMOSTAT
- T3: TERMOSTAT
THERMOSTAT
- OF: ÖVERSVÄMNINGSBRYTARE
OVERFLOW PROTECTION SWITCH
- REC: UTTAG TVÄTTMASKIN
OUTLET WASHING-MACHINE
- BO: BOTTEN
BOTTOM
- ILA: INDIKERINGSLAMPA
INDICATION LAMP
- R: RELÄ
RELAY
- S: SÄKRING
FUSE
- F: FILTER
FILTER
- AP: AVLOPPSPUMP
DRAIN PUMP
- MO: MOTOR
MOTOR
- TH: THERMISTOR
THERMISTOR
- BE: BELYSNING
ILLUMINATION
- LB: LUCKBRYTARE
DOOR SWITCH
- INKB: INKOPPLINGSPLINT
LUCKBRYTARE
LUCKBRYTARE
MAIN TERMINAL BLOCK
INKOPPLINGSPLINT

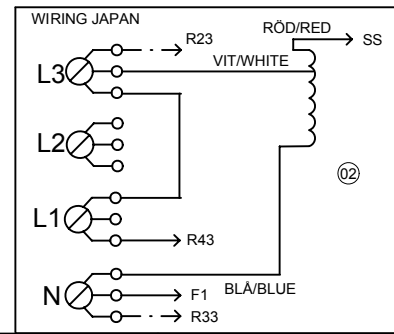
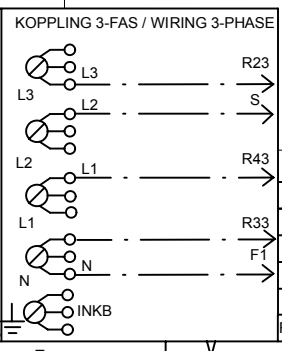
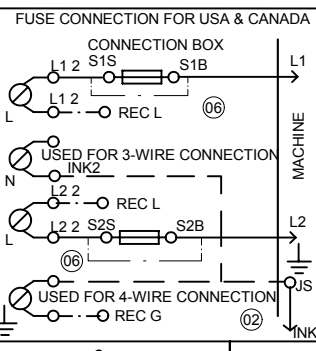
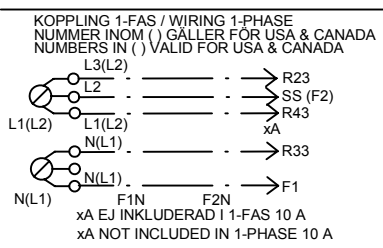
- TB: TRYCKBRYTARE
PUSH BUTTON SWITCH
- PCU: PROGRAM CONTROL UNIT
PROGRAM KONTROLLENHET
- KCU: KNAPPSATS MED DISPLAY
KNAPPSATS MED DISPLAY
USERS INTERFACE

--- INTERNAL CONNECTION
--- INTERN KOPPLING
- - - ALTERNATIVE WIRING
- - - ALTERNATIV KOPPLING



- POWER ON, PROGRAM IN STANDBY, DOOR CLOSED
- ST1-1 - ST11-1 230 Vac
 - ST2-1 - ST2-2 0 Vac (TD44)
 - ST3-1 - ST3-2 0 V (TD44) CLOSED SWITCH
 - ST3-1 - ST3-2 13 Vdc (TD44) OPEN SWITCH
 - ST5-1 - ST5-4 15 Vdc
 - ST5-2 - ST5-3 1-15 mVdc DEPENDING ON THE HUMIDITY
 - ST6-1 - ST6-2 5 Vdc THERMISTOR DISCONNECTED
 - ST7-1 - ST7-3 0 v
 - ST7-5 - ST7-3 0 v
 - ST8-1 - ST8-2 13 Vdc
 - ST8-3 DATA IN
 - ST8-4 CLOCK
 - ST8-5 DATA OUT

- PROGRAM RUNNING,
- ST1-1 - ST11-1 230 Vac
 - ST1-1 - ST1-3 230 Vac
 - ST1-1 - ST1-4 230 Vac
 - ST2-1 - ST2-2 230 Vac (TD44) 30 SECONDS EACH 4 MINUTES
 - ST3-1 - ST3-2 0 V (TD44) CLOSED SWITCH
 - ST3-1 - ST3-2 13 Vdc (TD44) OPEN SWITCH
 - ST5-1 - ST5-4 15 Vdc
 - ST5-2 - ST5-3 1-15 mVdc DEPENDING ON THE HUMIDITY
 - ST6-1 - ST6-2 5 Vdc THERMISTOR DISCONNECTED
 - ST7-1 - R24 230 Vac HEATER ON
 - ST7-5 - R44 230 Vac HEATER ON
 - ST8-1 - ST8-2 13 Vdc DATA IN
 - ST8-3 DATA IN
 - ST8-4 CLOCK
 - ST8-5 DATA OUT



This document must not be copied without our written permission, and the contents thereof must not be imparted to a third party without the prior written permission of Askocylinda AB.

Rev ind	Revision	Appd	Year	Week
06	Added alt. solution without fuses Removed wiring without Neutral	PS	05	03
05	Additional thermostat added	PS	03	03
04	Additional thermostat added	SS	01	27
03	TD44A/TD40 was TD44, TD33/44	MS	01	22
02	Wiring Japan added, JS added, MO4 changed	PS	99	26
01	ST2-1 - ST2-2 was 230	HT	99	02

Pos.	Qty	Part No.	Name of item	Material
Material		Dens.Kg/dm3		Dimensions, Type, etc.
Scale		Gen.tolerance		Description(ENG)
Designed by		Gen.tol.Angle		Description(SE)
Released by		Iss by Dept Year Week		Rev Ind
		UT 98 05		Replace
		ASKO CYLINDA		80 618 66 06
				Project
				8061866 rev:05